

Customization is available
Products and specifications are
subject to be changed without notice

Options

- 2.0-5.0m / 79-197 inch duplex mast
- 2.5-4.0m / 98-157 inch full free duplex mast
- 4.3-6.5m./169-256 inch triplex mast
- Special carriage and backrest
- Other dimension forks
- Dual drive wheel with fender
- Solid tyre
- Colored tyre (white / green)
- Cabin
- Heater and air condition
- Fire extinguisher
- Semi-suspension seat or full-suspension seat
- Dual air cleaner or special air cleaner
- Rear working light
- Customer painting
- Auxiliary hydraulic valve modules
- High-mounted exhaust system
- Middle-mounted exhaust system
- Anti-fire spark exhaust device
- Diesel exhaust das purifier
- Radiator screen
- Side shifter
- Integrated side shifter
- Other attachment



DeWerk
Technical Equipment

DeWerk Technical Equipment
Friedhof Strasse 6/1, D-72661 Grafenberg
Phone: ++49-(0)7123 360 60 30
Fax: ++49-(0)7123 360 60 33
Email: dewerk@t-online.de

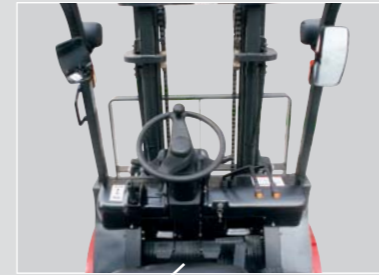
DeW
Technical Equipment

CE
ISO9000

DW Series

2.0/2.5/3.0/3.5T
4400/5500/6600/7700lb
Diesel/Gasoline/LPG





Wide-View Mast
 The operator is able to work with increased safety and accuracy due to a wider view mast.



Adjustable Steering Wheel
 Steering wheel can be adjusted by a lever on the right-hand side for the most comfortable operator position.



Brake Oil
 Easy to check and add brake oil.



Easily-Detached Floor Panel
 One-touch removal of the floorboard gets you right to service operations and reduces down-time.



Simple, Small-Stroke F/R Lever
 The forward-reverse lever swings through a smaller arc than previous models, meaning less effort and less total time used during this basic, often-performed function.



Automobile-Style Light/Turn-Signal Lever
 The automotive influence seen in the T Series extends to the thoughtful use of an automobile-style light and turn-signal lever, with simple actions that let the operator focus on the job.



Wide-Open Operation Space
 The area between the foot pedals and the body below the seat is open and free of obstructions that hamper entering and exiting the forklift.



- Option**
- Special carriage and backrest
 - Other dimension forks
 - Dual drive wheel with fender
 - Cabin
 - Heater and air condition
 - Dual air cleaner or special air cleaner
 - Rear working light

- Custom color paint
- High-mounted exhaust system
- Middle-mounted exhaust system
- Sideshifter
- Other attachment
- Lpg fuel system (single, dual)

DW series 2.0-3.5t forklift specification:

| General | 1 | Manufacture | | | | | | | | | | | | | | | | | | | | | | | |
|------------------------------|------------------------------|---|-------------------------|----------------------|--------------|--------------|--------------|--------------|---------------|--------------|--------------|--------------|--------------|---------------|---------------|--------------|--------------|--------------|--------------|---------------|---------------|--------------|--------------|--------------|------|
| | 2 | Model | DW20T-TD27 | DW20T-NE92 | DW20T-A490 | DW20T-C490 | DW20T-F2 | DW25T-TD27 | DW25T-NE92 | DW25T-A490 | DW25T-C490 | DW25T-F2 | DW30T-TD27 | DW30T-QD32 | DW30T-A490 | DW30T-C490 | DW30T-A498 | DW30T-F2 | DW35T-TD27 | DW35T-QD32 | DW35T-A498 | DW35T-F2 | | | |
| | 3 | Power type | Diesel | Diesel | Diesel | Diesel | Gasoline | Diesel | Diesel | Diesel | Diesel | Gasoline | Diesel | Diesel | Diesel | Diesel | Diesel | Gasoline | Diesel | Diesel | Diesel | Gasoline | | | |
| Characteristics & Dimensions | 4 | Rated capacity | Kg | 2000 | 2000 | 2000 | 2000 | 2000 | 2500 | 2500 | 2500 | 2500 | 2500 | 3000 | 3000 | 3000 | 3000 | 3000 | 3000 | 3500 | 3500 | 3500 | 3500 | | |
| | 5 | Load center | mm | 500 | 500 | 500 | 500 | 500 | 500 | 500 | 500 | 500 | 500 | 500 | 500 | 500 | 500 | 500 | 500 | 500 | 500 | 500 | 500 | | |
| | 6 | Lift height | mm | 3000 | 3000 | 3000 | 3000 | 3000 | 3000 | 3000 | 3000 | 3000 | 3000 | 3000 | 3000 | 3000 | 3000 | 3000 | 3000 | 3000 | 3000 | 3000 | 3000 | 3000 | |
| | 7 | Free lift height | mm | 120 | 120 | 120 | 120 | 120 | 120 | 120 | 120 | 120 | 120 | 120 | 120 | 120 | 120 | 120 | 120 | 120 | 120 | 120 | 120 | 120 | |
| | 8 | Fork size | L*W*T | mm | 920*100*40 | 920*100*40 | 920*100*40 | 920*100*40 | 920*100*40 | 920*100*40 | 920*100*40 | 920*100*40 | 920*100*40 | 920*100*40 | 920*125*40 | 920*125*40 | 920*125*40 | 920*125*40 | 920*125*40 | 920*125*40 | 920*125*40 | 920*125*40 | 920*125*40 | 920*125*40 | |
| | 9 | Mast tilt range | F/R | deg | 6/12 | 6/12 | 6/12 | 6/12 | 6/12 | 6/12 | 6/12 | 6/12 | 6/12 | 6/12 | 6/12 | 6/12 | 6/12 | 6/12 | 6/12 | 6/12 | 6/12 | 6/12 | 6/12 | 6/12 | |
| | 10 | Fork overhang(wheel center to fork face) | mm | 440 | 440 | 440 | 440 | 440 | 440 | 440 | 440 | 440 | 440 | 440 | 440 | 440 | 440 | 440 | 440 | 492 | 492 | 492 | 492 | 492 | |
| | 11 | Rear overhang | mm | 485 | 485 | 485 | 485 | 485 | 550 | 550 | 550 | 550 | 550 | 590 | 590 | 590 | 590 | 590 | 590 | 590 | 590 | 590 | 590 | 590 | |
| | 12 | Overall dimensions | Length to face of fork | mm | 2530 | 2530 | 2530 | 2530 | 2530 | 2600 | 2600 | 2600 | 2600 | 2600 | 2730 | 2730 | 2730 | 2730 | 2730 | 2730 | 2790 | 2790 | 2790 | 2790 | |
| | 13 | | Overall width | mm | 1150 | 1150 | 1150 | 1150 | 1150 | 1150 | 1150 | 1150 | 1150 | 1150 | 1250 | 1250 | 1250 | 1250 | 1250 | 1250 | 1250 | 1250 | 1250 | 1250 | |
| | 14 | | Overall lowered height | mm | 1995 | 1995 | 1995 | 1995 | 1995 | 1995 | 1995 | 1995 | 1995 | 1995 | 2005 | 2005 | 2005 | 2005 | 2005 | 2005 | 2017 | 2017 | 2017 | 2017 | |
| | 15 | | Overall extended height | mm | 4200 | 4200 | 4200 | 4200 | 4200 | 4200 | 4200 | 4200 | 4200 | 4200 | 4210 | 4210 | 4210 | 4210 | 4210 | 4210 | 4210 | 4210 | 4210 | 4210 | 4210 |
| | 16 | | Overhead guard height | mm | 2130 | 2130 | 2130 | 2130 | 2130 | 2130 | 2130 | 2130 | 2130 | 2130 | 2180 | 2180 | 2180 | 2180 | 2180 | 2180 | 2180 | 2180 | 2180 | 2180 | 2180 |
| | 17 | Turning radius(outside) | mm | 2170 | 2170 | 2170 | 2170 | 2170 | 2240 | 2240 | 2240 | 2240 | 2240 | 2450 | 2450 | 2450 | 2450 | 2450 | 2450 | 2510 | 2510 | 2510 | 2510 | 2510 | |
| | 18 | Min.right angle stacking aisle width (Add load length and clearance) | mm | 2680 | 2680 | 2680 | 2680 | 2680 | 2750 | 2750 | 2750 | 2750 | 2750 | 2950 | 2950 | 2950 | 2950 | 2950 | 2950 | 3000 | 3000 | 3000 | 3000 | 3000 | |
| | 19 | AST with pallet 800*1000mm | mm | 3753 | 3753 | 3753 | 3753 | 3753 | 3823 | 3823 | 3823 | 3823 | 3823 | 3873 | 3873 | 3873 | 3873 | 3873 | 3873 | 3923 | 3923 | 3923 | 3923 | 3923 | |
| | Performance | 20 | Speed | Travel (No load) | Km/h | 20 | 20 | 20 | 20 | 20 | 20 | 20 | 20 | 20 | 18.5 | 18.5 | 18.5 | 18.5 | 18.5 | 18 | 18 | 18 | 18 | 18 | |
| | | 21 | | Lifting (Full load) | mm/sec | 450 | 450 | 450 | 450 | 450 | 450 | 450 | 450 | 450 | 400 | 400 | 400 | 400 | 400 | 400 | 400 | 400 | 400 | 400 | 400 |
| | | 22 | | Lowering (Full load) | mm/sec | 450 | 450 | 450 | 450 | 450 | 450 | 450 | 450 | 450 | 400 | 400 | 400 | 400 | 400 | 400 | 450 | 450 | 450 | 450 | 450 |
| 23 | | Max.Drawbar Pull (Full load) | N | 17500 | 17500 | 17500 | 17500 | 17500 | 17500 | 17500 | 17500 | 17500 | 17500 | 21000 | 21000 | 21000 | 21000 | 21000 | 21000 | 23100 | 23100 | 23100 | 23100 | 23100 | |
| 24 | Max.Gradeability (Full load) | % | 20 | 20 | 20 | 20 | 20 | 20 | 20 | 20 | 20 | 20 | 20 | 20 | 20 | 20 | 20 | 20 | 18 | 18 | 18 | 18 | 18 | | |
| Chassis | 25 | Tyres | Front | | 7.00-12-12PR | 7.00-12-12PR | 7.00-12-12PR | 7.00-12-12PR | 7.00-12-12PR | 7.00-12-12PR | 7.00-12-12PR | 7.00-12-12PR | 7.00-12-12PR | 28*9-15-12PR | 28*9-15-12PR | 28*9-15-12PR | 28*9-15-12PR | 28*9-15-12PR | 28*9-15-12PR | 28*9-15-12PR | 28*9-15-12PR | 28*9-15-12PR | 28*9-15-12PR | | |
| | 26 | | Rear | | 6.00-9-10PR | 6.00-9-10PR | 6.00-9-10PR | 6.00-9-10PR | 6.00-9-10PR | 6.00-9-10PR | 6.00-9-10PR | 6.00-9-10PR | 6.00-9-10PR | 6.50-10-10PR | 6.50-10-10PR | 6.50-10-10PR | 6.50-10-10PR | 6.50-10-10PR | 6.50-10-10PR | 6.50-10-10PR | 6.50-10-10PR | 6.50-10-10PR | 6.50-10-10PR | 6.50-10-10PR | |
| | 27 | Tread | Front | mm | 970 | 970 | 970 | 970 | 970 | 970 | 970 | 970 | 970 | 1010 | 1010 | 1010 | 1010 | 1010 | 1010 | 1010 | 1010 | 1010 | 1010 | | |
| | 28 | | Rear | mm | 970 | 970 | 970 | 970 | 970 | 970 | 970 | 970 | 970 | 980 | 980 | 980 | 980 | 980 | 980 | 980 | 980 | 980 | 980 | 980 | |
| | 29 | Wheelbase | mm | 1600 | 1600 | 1600 | 1600 | 1600 | 1600 | 1600 | 1600 | 1600 | 1600 | 1700 | 1700 | 1700 | 1700 | 1700 | 1700 | 1760 | 1760 | 1760 | 1760 | 1760 | |
| | 30 | Ground clearance | Lowest | mm | 120 | 120 | 120 | 120 | 120 | 120 | 120 | 120 | 120 | 140 | 140 | 140 | 140 | 140 | 140 | 140 | 140 | 140 | 140 | 140 | |
| 31 | Wheelbase center | | mm | 145 | 145 | 145 | 145 | 145 | 145 | 145 | 145 | 145 | 175 | 175 | 175 | 175 | 175 | 175 | 175 | 175 | 175 | 175 | 175 | | |
| Weight | 32 | Self weight | Kg | 3570 | 3570 | 3570 | 3570 | 3570 | 3900 | 3900 | 3900 | 3900 | 3900 | 4450 | 4450 | 4450 | 4450 | 4450 | 4650 | 4650 | 4650 | 4650 | 4650 | | |
| | 33 | Weight Distribution | Full load | Front | Kg | 4846 | 4846 | 4846 | 4846 | 4846 | 5568 | 5568 | 5568 | 5568 | 5568 | 6488 | 6488 | 6488 | 6488 | 7091 | 7091 | 7091 | 7091 | | |
| | 34 | | | Rear | Kg | 724 | 724 | 724 | 724 | 724 | 832 | 832 | 832 | 832 | 832 | 962 | 962 | 962 | 962 | 962 | 1060 | 1060 | 1060 | 1060 | |
| | 35 | | No load | Front | Kg | 1428 | 1428 | 1428 | 1428 | 1428 | 1560 | 1560 | 1560 | 1560 | 1560 | 1810 | 1810 | 1810 | 1810 | 1810 | 1860 | 1860 | 1860 | 1860 | |
| 36 | Rear | | | Kg | 2142 | 2142 | 2142 | 2142 | 2142 | 2340 | 2340 | 2340 | 2340 | 2340 | 2640 | 2640 | 2640 | 2640 | 2640 | 2790 | 2790 | 2790 | 2790 | | |
| Power & transmission | 37 | Battery | V/AH | 12/60 | 12/60 | 12/80 | 12/80 | 12/80 | 12/60 | 12/60 | 12/80 | 12/80 | 12/80 | 12/60 | 12/60 | 12/80 | 12/80 | 12/80 | 12/60 | 12/60 | 12/60 | 12/80 | 12/60 | | |
| | 38 | Model | | TD27 | 4TNE92 | A490BPG | C490BPG | F2(2.2L) | TD27 | 4TNE92 | A490BPG | C490BPG | F2(2.2L) | TD27 | QD32 | A490BPG | C490BPG | A498BPG | F2(2.2L) | TD27 | QD32 | A498BPG | F2(2.2L) | | |
| | 39 | Manufacturer | | NISSAN DIESEL | YANMAR | CHINA | CHINA | MAZDA | NISSAN DIESEL | YANMAR | CHINA | CHINA | MAZDA | NISSAN DIESEL | NISSAN DIESEL | CHINA | CHINA | CHINA | MAZDA | NISSAN DIESEL | NISSAN DIESEL | CHINA | MAZDA | | |
| | 40 | Rated output/r.p.m | kw | 44/2500 | 33/2450 | 37/2650 | 36.8/2650 | 37.2/2700 | 44/2500 | 33/2450 | 37/2650 | 36.8/2650 | 37.2/2700 | 44/2500 | 44/2300 | 37/2650 | 36.8/2650 | 45/2500 | 37.2/2700 | 44/2500 | 44/2300 | 45/2500 | 37.2/2700 | | |
| | 41 | Rated torque/r.p.m | N.m | 172/1600 | 136/1600 | 148/1800 | 156/1700 | 142/1800 | 172/1600 | 136/1600 | 148/1800 | 156/1700 | 142/1800 | 172/1600 | 189/1800 | 148/1800 | 156/1700 | 193/1600 | 142/1800 | 172/1600 | 189/1800 | 193/1600 | 142/1800 | | |
| | 42 | No.of cylinder | | 4 | 4 | 4 | 4 | 4 | 4 | 4 | 4 | 4 | 4 | 4 | 4 | 4 | 4 | 4 | 4 | 4 | 4 | 4 | 4 | 4 | |
| | 43 | Bore*Stroke | mm | 96*92 | 92*100 | 90*100 | 90*105 | 86*94 | 96*92 | 92*100 | 90*100 | 90*105 | 86*94 | 96*92 | 99*102 | 90*100 | 90*105 | 98*105 | 86*94 | 96*92 | 99*102 | 98*105 | 86*94 | | |
| | 44 | Displacement | cc | 2663 | 2659 | 2540 | 2670 | 2184 | 2663 | 2659 | 2540 | 2670 | 2184 | 2663 | 3153 | 2540 | 2670 | 3168 | 2184 | 2663 | 3153 | 3168 | 2184 | | |
| | 45 | Fuel tank capacity | L | 60 | 60 | 60 | 60 | 60 | 60 | 60 | 60 | 60 | 60 | 60 | 60 | 60 | 60 | 60 | 60 | 60 | 60 | 60 | 60 | | |
| | 46 | | | | | | | | | | | | | | | | | | | | | | | | |
| | 47 | Transmissions | Type | | Powershift | Powershift | Powershift | Powershift | Powershift | Powershift | Powershift | Powershift | Powershift | Powershift | Powershift | Powershift | Powershift | Powershift | Powershift | Powershift | Powershift | Powershift | Powershift | Powershift | |
| 48 | | Stage | FWD/RVS | | 1/1 | 1/1 | 1/1 | 1/1 | 1/1 | 1/1 | 1/1 | 1/1 | 1/1 | 1/1 | 1/1 | 1/1 | 1/1 | 1/1 | 1/1 | 1/1 | 1/1 | 1/1 | 1/1 | | |
| 49 | Operating pressure | For attachments | Mpa | 17.5 | 17.5 | 17.5 | 17.5 | 17.5 | 17.5 | 17.5 | 17.5 | 17.5 | 17.5 | 17.5 | 17.5 | 17.5 | 17.5 | 17.5 | 17.5 | 17.5 | 17.5 | 17.5 | | | |

1. Special lifting height available. 2. Attachment available. 3. The specification in the table are for standard models only . For further information please contact us

DW series 4400-7700lb forklift specification:

| | | | | | | | | | | | | | | | | | | | | | | | | | | | |
|------------------------------|------------------------------|--|-----------------|------------------------|------------|--------------|--------------|--------------|--------------|--------------|--------------|--------------|--------------|--------------|--------------|---------------|---------------|---------------|---------------|---------------|---------------|---------------|---------------|---------------|------------|------------|------|
| General | 1 | Manufacture | | | | | | | | | | | | | | | | | | | | | | | | | |
| | 2 | Model | | | DW20T-TD27 | DW20T-NE92 | DW20T-A490 | DW20T-C490 | DW20T-F2 | DW25T-TD27 | DW25T-NE92 | DW25T-A490 | DW25T-C490 | DW25T-F2 | DW30T-TD27 | DW30T-QD32 | DW30T-A490 | DW30T-C490 | DW30T-A498 | DW30T-F2 | DW35T-TD27 | DW35T-QD32 | DW35T-A498 | DW35T-F2 | | | |
| | 3 | Power type | | | Diesel | Diesel | Diesel | Diesel | Gasoline | Diesel | Diesel | Diesel | Diesel | Gasoline | Diesel | Diesel | Diesel | Diesel | Diesel | Gasoline | Diesel | Diesel | Diesel | Gasoline | | | |
| | 4 | Rated capacity | | lb | 4400 | 4400 | 4400 | 4400 | 4400 | 5500 | 5500 | 5500 | 5500 | 5500 | 6600 | 6600 | 6600 | 6600 | 6600 | 6600 | 7700 | 7700 | 7700 | 7700 | | | |
| | 5 | Load center | | inch | 20 | 20 | 20 | 20 | 20 | 20 | 20 | 20 | 20 | 20 | 20 | 20 | 20 | 20 | 20 | 20 | 20 | 20 | 20 | 20 | | | |
| Characteristics & Dimensions | 6 | Lift height | | inch | 118 | 118 | 118 | 118 | 118 | 118 | 118 | 118 | 118 | 118 | 118 | 118 | 118 | 118 | 118 | 118 | 118 | 118 | 118 | | | | |
| | 7 | Free lift height | | inch | 4.7 | 4.7 | 4.7 | 4.7 | 4.7 | 4.7 | 4.7 | 4.7 | 4.7 | 4.7 | 4.7 | 4.7 | 4.7 | 4.7 | 4.7 | 4.7 | 5 | 5 | 5 | 5 | | | |
| | 8 | Fork size | | L*W*T | inch | 36.2*3.9*1.5 | 36.2*3.9*1.5 | 36.2*3.9*1.5 | 36.2*3.9*1.5 | 36.2*3.9*1.5 | 36.2*3.9*1.5 | 36.2*3.9*1.5 | 36.2*3.9*1.5 | 36.2*3.9*1.5 | 36.2*3.9*1.5 | 39.2*4.92*1.5 | 39.2*4.92*1.5 | 39.2*4.92*1.5 | 39.2*4.92*1.5 | 39.2*4.92*1.5 | 39.2*4.92*1.5 | 39.2*4.92*1.5 | 39.2*4.92*1.5 | 39.2*4.92*1.5 | | | |
| | 9 | Mast tilt range | | F/R | deg | 6/12 | 6/12 | 6/12 | 6/12 | 6/12 | 6/12 | 6/12 | 6/12 | 6/12 | 6/12 | 6/12 | 6/12 | 6/12 | 6/12 | 6/12 | 6/12 | 6/12 | 6/12 | 6/12 | | | |
| | 10 | Fork overhang(wheel center to fork face) | | | inch | 17.3 | 17.3 | 17.3 | 17.3 | 17.3 | 17.3 | 17.3 | 17.3 | 17.3 | 17.3 | 17.3 | 17.3 | 17.3 | 17.3 | 17.3 | 17.3 | 19 | 19 | 19 | 19 | | |
| | 11 | Rear overhang | | | inch | 19.1 | 19.1 | 19.1 | 19.1 | 19.1 | 21.7 | 21.7 | 21.7 | 21.7 | 21.7 | 23.2 | 23.2 | 23.2 | 23.2 | 23.2 | 23 | 23 | 23 | 23 | | | |
| | 12 | Overall dimensions | | Length to face of fork | | inch | 100 | 100 | 100 | 100 | 102 | 102 | 102 | 102 | 107 | 107 | 107 | 107 | 107 | 107 | 110 | 110 | 110 | 110 | | | |
| | 13 | | | Overall width | | inch | 45 | 45 | 45 | 45 | 45 | 45 | 45 | 45 | 45 | 49 | 49 | 49 | 49 | 49 | 49 | 49 | 49 | 49 | 49 | | |
| | 14 | | | Mast lowered height | | inch | 79 | 79 | 79 | 79 | 79 | 79 | 79 | 79 | 79 | 79 | 79 | 79 | 79 | 79 | 79 | 79 | 79 | 79 | 79 | | |
| | 15 | | | Mast extended height | | inch | 165 | 165 | 165 | 165 | 165 | 165 | 165 | 165 | 165 | 166 | 166 | 166 | 166 | 166 | 166 | 166 | 166 | 166 | 166 | | |
| | 16 | Overhead guard height | | inch | 84 | 84 | 84 | 84 | 84 | 84 | 84 | 84 | 84 | 84 | 86 | 86 | 86 | 86 | 86 | 86 | 86 | 86 | 86 | 86 | | | |
| | 17 | Turning radius(outside) | | inch | 85 | 85 | 85 | 85 | 85 | 88 | 88 | 88 | 88 | 88 | 96 | 96 | 96 | 96 | 96 | 96 | 99 | 99 | 99 | 99 | | | |
| | 18 | Min.right angle stacking aisle width (Add load length and clearance) | | inch | 106 | 106 | 106 | 106 | 106 | 108 | 108 | 108 | 108 | 108 | 116 | 116 | 116 | 116 | 116 | 116 | 118 | 118 | 118 | 118 | | | |
| 19 | AST with pallet 800*1000mm | | inch | 148 | 148 | 148 | 148 | 148 | 151 | 151 | 151 | 151 | 151 | 152 | 152 | 152 | 152 | 152 | 152 | 154 | 154 | 154 | 154 | | | | |
| Performance | 20 | Speed | | Travel (No load) | | mile/h | 12.4 | 12.4 | 12.4 | 12.4 | 12.4 | 12.4 | 12.4 | 12.4 | 11.5 | 11.5 | 11.5 | 11.5 | 11.5 | 11.5 | 11.5 | 11.5 | 11.5 | | | | |
| | 21 | | | Lifting (Full load) | | inch/sec | 17.7 | 17.7 | 17.7 | 17.7 | 17.7 | 17.7 | 17.7 | 17.7 | 17.7 | 15.7 | 15.7 | 15.7 | 15.7 | 15.7 | 15.7 | 16 | 16 | 16 | 16 | | |
| | 22 | | | Lowering (Full load) | | inch/sec | 17.7 | 17.7 | 17.7 | 17.7 | 17.7 | 17.7 | 17.7 | 17.7 | 17.7 | 17.7 | 15.7 | 15.7 | 15.7 | 15.7 | 15.7 | 18 | 18 | 18 | 18 | | |
| | 23 | Max.Drawbar Pull (Full load) | | N | 17500 | 17500 | 17500 | 17500 | 17500 | 17500 | 17500 | 17500 | 17500 | 17500 | 21000 | 21000 | 21000 | 21000 | 21000 | 21000 | 23100 | 23100 | 23100 | 23100 | | | |
| 24 | Max.Gradeability (Full load) | | % | 20 | 20 | 20 | 20 | 20 | 20 | 20 | 20 | 20 | 20 | 20 | 20 | 20 | 20 | 20 | 20 | 20 | 20 | 20 | 20 | | | | |
| Chassis | 25 | Tyres | | Front | | 7.00-12-12PR | 7.00-12-12PR | 7.00-12-12PR | 7.00-12-12PR | 7.00-12-12PR | 7.00-12-12PR | 7.00-12-12PR | 7.00-12-12PR | 7.00-12-12PR | 28*9-15-12PR | 28*9-15-12PR | 28*9-15-12PR | 28*9-15-12PR | 28*9-15-12PR | 28*9-15-12PR | 28*9-15-12PR | 28*9-15-12PR | 28*9-15-12PR | | | | |
| | 26 | | | Rear | | 6.00-9-10PR | 6.00-9-10PR | 6.00-9-10PR | 6.00-9-10PR | 6.00-9-10PR | 6.00-9-10PR | 6.00-9-10PR | 6.00-9-10PR | 6.00-9-10PR | 6.00-9-10PR | 6.50-10-10PR | 6.50-10-10PR | 6.50-10-10PR | 6.50-10-10PR | 6.50-10-10PR | 6.50-10-10PR | 6.50-10-10PR | 6.50-10-10PR | 6.50-10-10PR | | | |
| | 27 | Tread | | Front | | inch | 38 | 38 | 38 | 38 | 38 | 38 | 38 | 38 | 40 | 40 | 40 | 40 | 40 | 40 | 40 | 40 | 40 | | | | |
| | 28 | | | Rear | | inch | 38 | 38 | 38 | 38 | 38 | 38 | 38 | 38 | 38 | 39 | 39 | 39 | 39 | 39 | 39 | 39 | 39 | 39 | | | |
| | 29 | Wheelbase | | inch | 63 | 63 | 63 | 63 | 63 | 63 | 63 | 63 | 63 | 63 | 67 | 67 | 67 | 67 | 67 | 67 | 69 | 69 | 69 | 69 | | | |
| | 30 | Ground clearance | | Lowest | | inch | 4.7 | 4.7 | 4.7 | 4.7 | 4.7 | 4.7 | 4.7 | 4.7 | 5.5 | 5.5 | 5.5 | 5.5 | 5.5 | 5.5 | 6 | 6 | 6 | 6 | | | |
| 31 | Wheelbase center | | | inch | 5.7 | 5.7 | 5.7 | 5.7 | 5.7 | 5.7 | 5.7 | 5.7 | 5.7 | 5.7 | 6.9 | 6.9 | 6.9 | 6.9 | 6.9 | 7 | 7 | 7 | 7 | | | | |
| Weight | 32 | Self weight | | lb | 7900 | 7900 | 7900 | 7900 | 7900 | 8600 | 8600 | 8600 | 8600 | 8600 | 9800 | 9800 | 9800 | 9800 | 9800 | 9800 | 10200 | 10200 | 10200 | 10200 | | | |
| | 33 | Weight Distribution | | Full load | | Front | | lb | 1000 | 1000 | 1000 | 1000 | 1000 | 12300 | 12300 | 12300 | 12300 | 12300 | 12300 | 12300 | 12300 | 14300 | 14300 | 14300 | 14300 | | |
| | 34 | | | | | Rear | | lb | 1600 | 1600 | 1600 | 1600 | 1600 | 1800 | 1800 | 1800 | 1800 | 1800 | 1800 | 2100 | 2100 | 2100 | 2100 | 2100 | 2100 | 2300 | 2300 |
| | 35 | | | No load | | Front | | lb | 3100 | 3100 | 3100 | 3100 | 3100 | 3100 | 3100 | 3400 | 3400 | 3400 | 3400 | 3400 | 3400 | 3400 | 3400 | 4000 | 4000 | 4000 | |
| 36 | Rear | | | | | lb | 4700 | 4700 | 4700 | 4700 | 4700 | 5200 | 5200 | 5200 | 5200 | 5200 | 5200 | 5800 | 5800 | 5800 | 5800 | 5800 | 5800 | 6100 | 6100 | | |
| Power & transmission | 37 | Battery | | Voltage/Capacity(20HR) | | V/AH | 12/60 | 12/60 | 12/80 | 12/80 | 12/80 | 12/80 | 12/80 | 12/80 | 12/60 | 12/60 | 12/80 | 12/80 | 12/80 | 12/60 | 12/60 | 12/60 | 12/60 | | | | |
| | 38 | Engine | | Model | | | TD27 | 4TNE92 | A490BPG | C490BPG | F2(2.2L) | TD27 | 4TNE92 | A490BPG | C490BPG | F2(2.2L) | TD27 | QD32 | A490BPG | C490BPG | A498BPG | F2(2.2L) | TD27 | QD32 | A498BPG | F2(2.2L) | |
| | 39 | | | Manufactur | | | NISSAN | YANMAR | CHINA | CHINA | Mazda | NISSAN | YANMAR | CHINA | CHINA | Mazda | NISSAN | NISSAN | CHINA | CHINA | CHINA | CHINA | NISSAN DIESEL | NISSAN DIESEL | CHINA | Mazda | |
| | 40 | | | Rated output/r.p.m | | hp | 59/2500 | 44/2450 | 49.6/2650 | 49.5/2650 | 49.9/2700 | 59/2500 | 44/2450 | 49.6/2650 | 49.5/2650 | 49.9/2700 | 59/2500 | 44/2300 | 49.6/2650 | 49.5/2650 | 49.5/2650 | 49.9/2700 | 59/2500 | 44/2300 | 60/2500 | 49.9/2700 | |
| | 41 | | | Rated torque/r.p.m | | N.m | 172/1600 | 136/1600 | 148/1800 | 156/1700 | 142/1800 | 172/1600 | 136/1600 | 148/1800 | 156/1700 | 142/1800 | 172/1600 | 189/1800 | 148/1800 | 156/1700 | 156/1700 | 142/1800 | 172/1600 | 189/1800 | 193/1600 | 142/1800 | |
| | 42 | | | No.of cylinder | | | 4 | 4 | 4 | 4 | 4 | 4 | 4 | 4 | 4 | 4 | 4 | 4 | 4 | 4 | 4 | 4 | 4 | 4 | 4 | 4 | 4 |
| | 43 | | | Bore*Stroke | | inch | 3.78*3.62 | 3.62*3.94 | 3.54*3.94 | 3.54*4.13 | 3.39*3.7 | 3.78*3.62 | 3.62*3.94 | 3.54*3.94 | 3.54*4.13 | 3.39*3.7 | 3.78*3.62 | 3.9*4.0 | 3.54*3.94 | 3.54*4.13 | 3.86*4.13 | 3.39*3.7 | 3.78*3.62 | 3.90*4.02 | 3.86*4.13 | 3.39*3.7 | |
| | 44 | | | Displacement | | cc | 2663 | 2659 | 2540 | 2670 | 2184 | 2663 | 2659 | 2540 | 2670 | 2184 | 2663 | 3153 | 2540 | 2670 | 3168 | 2184 | 2663 | 3153 | 3168 | 2184 | |
| | 45 | | | Fuel tank capacity | | L | 60 | 60 | 60 | 60 | 60 | 60 | 60 | 60 | 60 | 60 | 60 | 60 | 60 | 60 | 60 | 60 | 60 | 60 | 60 | 60 | |
| | 46 | | | Transmissions | | Manufacture | | | CHINA | CHINA | CHINA | CHINA | CHINA | CHINA | CHINA | CHINA | CHINA | CHINA | CHINA | CHINA | CHINA | CHINA | CHINA | CHINA | CHINA | CHINA | |
| | 47 | | | | | Type | | | Powershift | Powershift | Powershift | Powershift | Powershift | Powershift | Powershift | Powershift | Powershift | Powershift | Powershift | Powershift | Powershift | Powershift | Powershift | Powershift | Powershift | Powershift | |
| 48 | | | Stage | | FWD/RVS | 1/1 | 1/1 | 1/1 | 1/1 | 1/1 | 1/1 | 1/1 | 1/1 | 1/1 | 1/1 | 1/1 | 1/1 | 1/1 | 1/1 | 1/1 | 1/1 | 1/1 | 1/1 | | | | |
| 49 | Operating pressure | | For attachments | | Mpa | 17.5 | 17.5 | 17.5 | 17.5 | 17.5 | 17.5 | 17.5 | 17.5 | 17.5 | 17.5 | 17.5 | 17.5 | 17.5 | 17.5 | 17.5 | 17.5 | 17.5 | 17.5 | | | | |

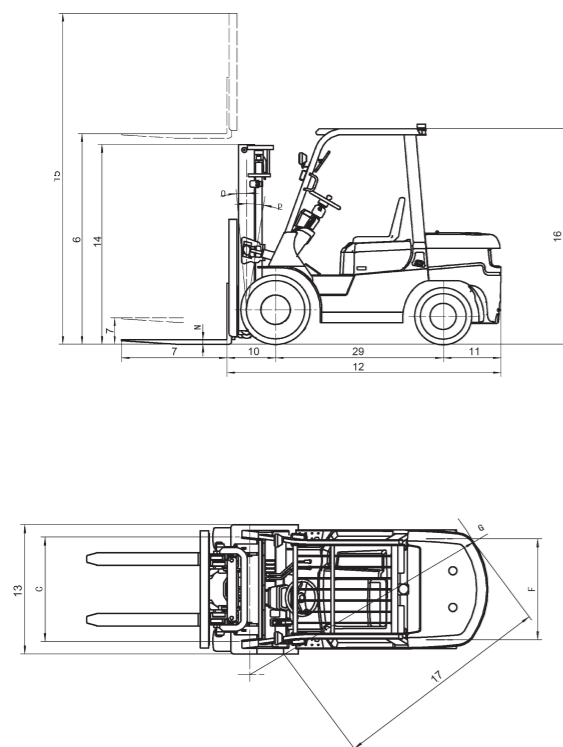
1. Special lifting height available. 2. Attachment available.
 3. The specification in the table are for standard models only . For further information please contact us

2.0~2.5t DW series mast: (Pneumatic)

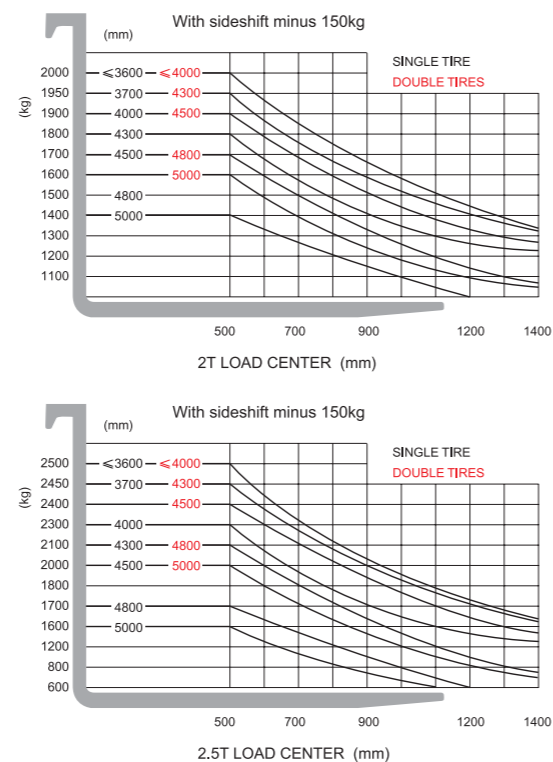
| Type | Model | Max.fork height | Overall height | | | | Free lift | | Front Overhang | | Tilt range | | Capacity | | | |
|---------------------------|-------|-----------------|----------------|------------------|---------------|------------------|---------------|------|----------------|-----|------------|------------------------|----------|-------------|------|--|
| | | | Lowered | Extended | | Without backrest | With backrest | 2.0t | 2.5t | FWD | BWD | Load capacity at 500mm | | | | |
| | | | | Without backrest | With backrest | | | | | | | Single tire | | Double tire | | |
| | | | | | | | | | | | | 2.0t | 2.5t | 2.0t | 2.5t | |
| mm | mm | mm | mm | mm | mm | mm | mm | Deg | Deg | kg | kg | kg | kg | | | |
| Wide view 2-stage mast | 2W300 | 3000 | 1995 | 3540 | 4220 | 120 | 120 | 440 | 440 | 6 | 12 | 2000 | 2500 | 2000 | 2500 | |
| | 2W330 | 3300 | 2145 | 3690 | 4370 | 120 | 120 | 440 | 440 | 6 | 12 | 2000 | 2500 | 2000 | 2500 | |
| | 2W350 | 3500 | 2245 | 3890 | 4570 | 120 | 120 | 440 | 440 | 6 | 12 | 2000 | 2500 | 2000 | 2500 | |
| | 2W360 | 3600 | 2295 | 3990 | 4670 | 120 | 120 | 440 | 440 | 6 | 12 | 2000 | 2500 | 2000 | 2500 | |
| | 2W400 | 4000 | 2495 | 4040 | 4720 | 120 | 120 | 440 | 440 | 6 | 12 | 1900 | 2300 | 2000 | 2500 | |
| | 2W430 | 4300 | 2645 | 4340 | 5020 | 120 | 120 | 440 | 440 | 6 | 6 | 1800 | 2100 | 1950 | 2450 | |
| | 2W450 | 4500 | 2745 | 4290 | 4970 | 120 | 120 | 440 | 440 | 6 | 6 | 1700 | 2000 | 1900 | 2400 | |
| Full free 2-stage mast | 2F300 | 3000 | 2050 | 2590 | 3270 | 1460 | 810 | 440 | 440 | 6 | 12 | 2000 | 2500 | 2000 | 2500 | |
| | 2F330 | 3300 | 2200 | 3840 | 4520 | 1610 | 960 | 440 | 440 | 6 | 12 | 2000 | 2500 | 2000 | 2500 | |
| Full free 3-stage mast | 3F430 | 4300 | 1970 | 4240 | 4880 | 1360 | 730 | 440 | 440 | 6 | 6 | 1700 | 2000 | 1900 | 2400 | |
| | 3F450 | 4500 | 2050 | 5720 | 5040 | 1460 | 810 | 460 | 460 | 6 | 6 | 1600 | 1900 | 1800 | 2300 | |
| | 3F480 | 4800 | 2095 | 6020 | 5345 | 1565 | 915 | 460 | 460 | 6 | 6 | 1500 | 1700 | 1700 | 2100 | |
| | 3F500 | 5000 | 2240 | 6220 | 5540 | 1610 | 960 | 460 | 460 | 6 | 6 | 1400 | 1600 | 1600 | 2000 | |
| | 3F550 | 5500 | 2320 | 6800 | 6120 | 1770 | 1120 | 460 | 460 | 3 | 6 | 1050 | 1200 | 1500 | 1800 | |
| | 3F600 | 6000 | 2740 | 7220 | 6540 | 2020 | 1370 | 460 | 460 | 3 | 6 | 700 | 800 | 1400 | 1600 | |

Note: With sideshift minus 150Kg, with integral sideshift minus 100Kg.

DIMENSIONS



**LOAD CAPACITY CHART
2-stage mast**

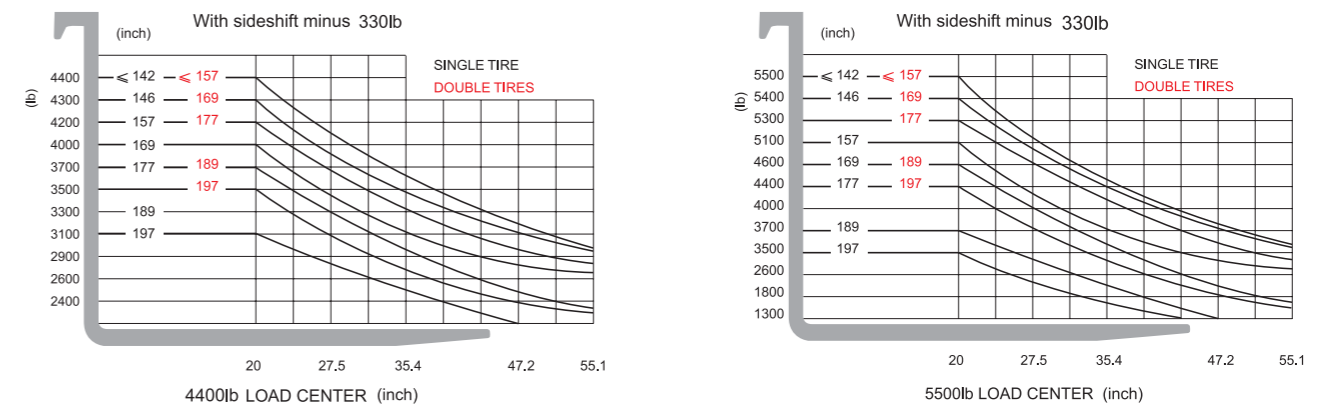


4400-5500lb series mast: (Pneumatic)

| Type | Model | Max.fork height | Overall height | | | | Free lift | | Front Overhang | | Tilt range | | Capacity | | | |
|---------------------------|-------|-----------------|----------------|------------------|---------------|------------------|---------------|--------|----------------|-----|------------|--------------------------|----------|-------------|--------|--|
| | | | Lowered | Extended | | Without backrest | With backrest | 4400lb | 5500lb | FWD | BWD | Load capacity at 20 inch | | | | |
| | | | | Without backrest | With backrest | | | | | | | Single tire | | Double tire | | |
| | | | | | | | | | | | | 4400lb | 5500lb | 4400lb | 5500lb | |
| inch | inch | inch | inch | inch | inch | inch | inch | Deg | Deg | lb | lb | lb | lb | | | |
| Wide view 2-stage mast | 2W300 | 118 | 79 | 139 | 166 | 4.7 | 4.7 | 17.3 | 17.3 | 6 | 12 | 4400 | 5500 | 4400 | 5500 | |
| | 2W330 | 130 | 84 | 145 | 172 | 4.7 | 4.7 | 17.3 | 17.3 | 6 | 12 | 4400 | 5500 | 4400 | 5500 | |
| | 2W350 | 138 | 88 | 153 | 180 | 4.7 | 4.7 | 17.3 | 17.3 | 6 | 12 | 4400 | 5500 | 4400 | 5500 | |
| | 2W360 | 142 | 90 | 157 | 184 | 4.7 | 4.7 | 17.3 | 17.3 | 6 | 12 | 4400 | 5500 | 4400 | 5500 | |
| | 2W400 | 157 | 98 | 159 | 186 | 4.7 | 4.7 | 17.3 | 17.3 | 6 | 12 | 4200 | 5100 | 4400 | 5500 | |
| | 2W430 | 169 | 104 | 171 | 198 | 4.7 | 4.7 | 17.3 | 17.3 | 6 | 6 | 3900 | 4600 | 4300 | 5400 | |
| | 2W450 | 177 | 108 | 169 | 196 | 4.7 | 4.7 | 17.3 | 17.3 | 6 | 6 | 3700 | 4400 | 4200 | 5300 | |
| Full free 2-stage mast | 2F300 | 118 | 81 | 102 | 129 | 57 | 32 | 17.3 | 17.3 | 6 | 12 | 4400 | 5500 | 4400 | 5500 | |
| | 2F330 | 130 | 87 | 151 | 178 | 63 | 38 | 17.3 | 17.3 | 6 | 12 | 4400 | 5500 | 4400 | 5500 | |
| Full free 3-stage mast | 3F430 | 169 | 78 | 167 | 192 | 54 | 29 | 17.3 | 17.3 | 6 | 6 | 3700 | 4400 | 4200 | 5300 | |
| | 3F450 | 177 | 81 | 225 | 198 | 57 | 32 | 18.1 | 18.1 | 6 | 6 | 3500 | 4200 | 4000 | 5100 | |
| | 3F480 | 189 | 82 | 237 | 210 | 62 | 36 | 18.1 | 18.1 | 6 | 6 | 3300 | 3700 | 3700 | 4600 | |
| | 3F500 | 197 | 88 | 245 | 218 | 63 | 38 | 18.1 | 18.1 | 6 | 6 | 3100 | 3500 | 3500 | 4400 | |
| | 3F550 | 217 | 91 | 268 | 241 | 70 | 44 | 18.1 | 18.1 | 3 | 6 | 2300 | 2700 | 3300 | 4000 | |
| | 3F600 | 236 | 108 | 284 | 257 | 80 | 54 | 18.1 | 18.1 | 3 | 6 | 1500 | 1800 | 3100 | 3500 | |

Note: With sideshift minus 330lb, with integral sideshift minus 220lb.

**LOAD CAPACITY CHART
2-stage mast**



3.0-3.5t DW series mast: (Pneumatic)

| Type | Model | Max.fork height | Overall height | | | | Free lift | | Front Overhang | | Tilt range | | Capacity | | | |
|---------------------------|-------|-----------------|----------------|------------------|---------------|------------------|---------------|------|----------------|-----|------------|------------------------|----------|-------------|------|--|
| | | | Lowered | Extended | | Without backrest | With backrest | 3.0t | 3.5t | FWD | BWD | Load capacity at 500mm | | | | |
| | | | | Without backrest | With backrest | | | | | | | Single tire | | Double tire | | |
| | | | mm | mm | mm | mm | mm | mm | Deg | Deg | kg | kg | kg | kg | | |
| Wide view 2-stage mast | 2W300 | 3000 | 2025 | 3570 | 4250 | 120 | 120 | 440 | 440 | 6 | 12 | 3000 | 3500 | 3000 | 3500 | |
| | 2W330 | 3300 | 2145 | 3690 | 4370 | 120 | 120 | 440 | 440 | 6 | 12 | 3000 | 3500 | 3000 | 3500 | |
| | 2W350 | 3500 | 2245 | 3890 | 4570 | 120 | 120 | 440 | 440 | 6 | 12 | 3000 | 3500 | 3000 | 3500 | |
| | 2W360 | 3600 | 2295 | 3990 | 4670 | 120 | 120 | 440 | 440 | 6 | 12 | 3000 | 3500 | 3000 | 3500 | |
| | 2W400 | 4000 | 2495 | 4040 | 4720 | 120 | 120 | 440 | 440 | 6 | 12 | 2850 | 3250 | 3000 | 3500 | |
| | 2W430 | 4300 | 2645 | 4340 | 5020 | 120 | 120 | 440 | 440 | 6 | 6 | 2700 | 3000 | 2900 | 3400 | |
| | 2W450 | 4500 | 2745 | 4290 | 4970 | 120 | 120 | 440 | 440 | 6 | 6 | 2550 | 2850 | 2850 | 3350 | |
| Full free 2-stage mast | 2F300 | 3000 | 2080 | 2620 | 3300 | 1460 | 810 | 440 | 440 | 6 | 12 | 3000 | 3500 | 3000 | 3500 | |
| | 2F330 | 3300 | 2230 | 3870 | 4550 | 1610 | 960 | 440 | 440 | 6 | 12 | 3000 | 3500 | 3000 | 3500 | |
| Full free 3-stage mast | 3F430 | 4300 | 2000 | 5570 | 4910 | 1360 | 730 | 460 | 460 | 6 | 6 | 2550 | 2550 | 2850 | 3350 | |
| | 3F450 | 4500 | 2080 | 5750 | 5070 | 1460 | 810 | 460 | 460 | 6 | 6 | 2400 | 2400 | 2700 | 3200 | |
| | 3F480 | 4800 | 2125 | 6050 | 5375 | 1565 | 915 | 460 | 460 | 6 | 6 | 2250 | 2250 | 2550 | 2900 | |
| | 3F500 | 5000 | 2270 | 6250 | 5570 | 1610 | 960 | 460 | 460 | 6 | 6 | 2100 | 2100 | 2400 | 2750 | |
| | 3F550 | 5500 | 2350 | 6830 | 6150 | 1770 | 1120 | 460 | 460 | 3 | 6 | 1650 | 1650 | 2250 | 2550 | |
| | 3F600 | 6000 | 2770 | 7250 | 6570 | 2020 | 1370 | 460 | 460 | 3 | 6 | 1200 | 1200 | 2100 | 2300 | |

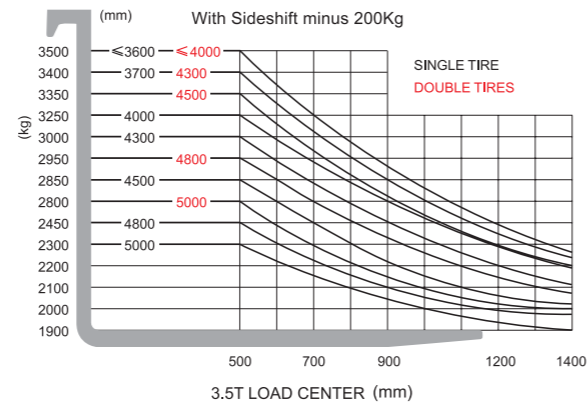
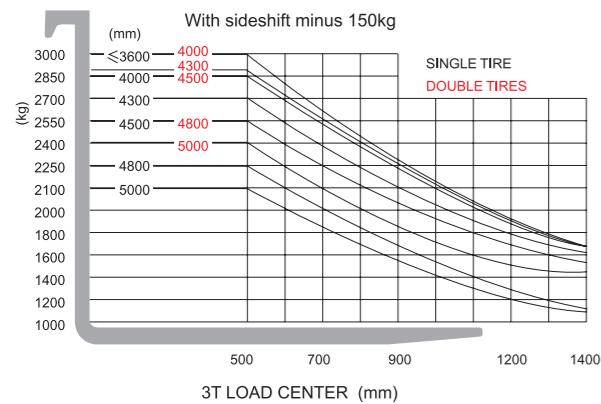
Note: With sideshift minus 200Kg, with integral sideshift minus 150Kg.

6600-7700lb series mast: (Pneumatic)

| Type | Model | Max.fork height | Overall height | | | | Free lift | | Front Overhang | | Tilt range | | Capacity | | | |
|---------------------------|-------|-----------------|----------------|------------------|---------------|------------------|---------------|--------|----------------|-----|------------|--------------------------|----------|-------------|------|--|
| | | | Lowered | Extended | | Without backrest | With backrest | 6600lb | 7700lb | FWD | BWD | Load capacity at 20 inch | | | | |
| | | | | Without backrest | With backrest | | | | | | | Single tire | | Double tire | | |
| | | | inch | inch | inch | inch | inch | inch | Deg | Deg | lb | lb | lb | lb | | |
| Wide view 2-stage mast | 2W300 | 118 | 80 | 141 | 167 | 4.7 | 4.7 | 17.3 | 17.3 | 6 | 12 | 6600 | 7700 | 6600 | 7700 | |
| | 2W330 | 130 | 84 | 145 | 172 | 4.7 | 4.7 | 17.3 | 17.3 | 6 | 12 | 6600 | 7700 | 6600 | 7700 | |
| | 2W350 | 138 | 88 | 153 | 180 | 4.7 | 4.7 | 17.3 | 17.3 | 6 | 12 | 6600 | 7700 | 6600 | 7700 | |
| | 2W360 | 142 | 90 | 157 | 184 | 4.7 | 4.7 | 17.3 | 17.3 | 6 | 12 | 6600 | 7700 | 6600 | 7700 | |
| | 2W400 | 157 | 98 | 159 | 186 | 4.7 | 4.7 | 17.3 | 17.3 | 6 | 12 | 6300 | 7200 | 6600 | 7700 | |
| | 2W430 | 169 | 104 | 171 | 198 | 4.7 | 4.7 | 17.3 | 17.3 | 6 | 6 | 6000 | 6600 | 6400 | 7500 | |
| | 2W450 | 177 | 108 | 169 | 196 | 4.7 | 4.7 | 17.3 | 17.3 | 6 | 6 | 5600 | 6300 | 6300 | 7400 | |
| Full free 2-stage mast | 2F300 | 118 | 82 | 103 | 130 | 57 | 32 | 17.3 | 17.3 | 6 | 12 | 6600 | 7700 | 6600 | 7700 | |
| | 2F330 | 130 | 88 | 152 | 179 | 63 | 38 | 17.3 | 17.3 | 6 | 12 | 6600 | 7700 | 6600 | 7700 | |
| Full free 3-stage mast | 3F430 | 169 | 79 | 219 | 193 | 54 | 29 | 18.1 | 18.1 | 6 | 6 | 5600 | 5600 | 6300 | 7400 | |
| | 3F450 | 177 | 82 | 226 | 200 | 57 | 32 | 18.1 | 18.1 | 6 | 6 | 5300 | 5300 | 6000 | 7100 | |
| | 3F480 | 189 | 84 | 238 | 212 | 62 | 36 | 18.1 | 18.1 | 6 | 6 | 5000 | 5000 | 5600 | 6400 | |
| | 3F500 | 197 | 89 | 246 | 219 | 63 | 38 | 18.1 | 18.1 | 6 | 6 | 4600 | 4600 | 5300 | 6100 | |
| | 3F550 | 217 | 93 | 269 | 242 | 70 | 44 | 18.1 | 18.1 | 3 | 6 | 3600 | 3600 | 5000 | 5600 | |
| | 3F600 | 236 | 109 | 285 | 259 | 80 | 54 | 18.1 | 18.1 | 3 | 6 | 2600 | 2600 | 4600 | 5100 | |

Note: With sideshift minus 440lb, with integral sideshift minus 330lb.

LOAD CAPACITY CHART 2-stage mast



LOAD CAPACITY CHART 2-stage mast

